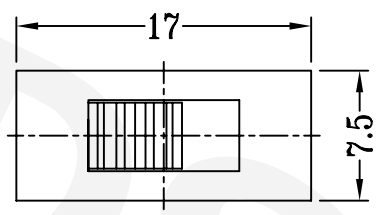
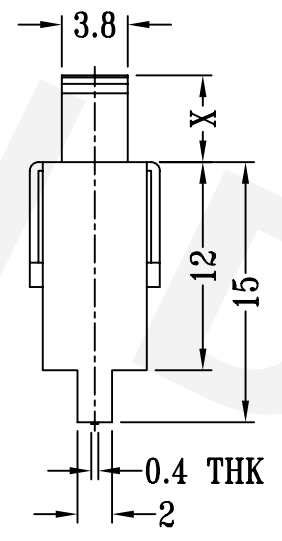
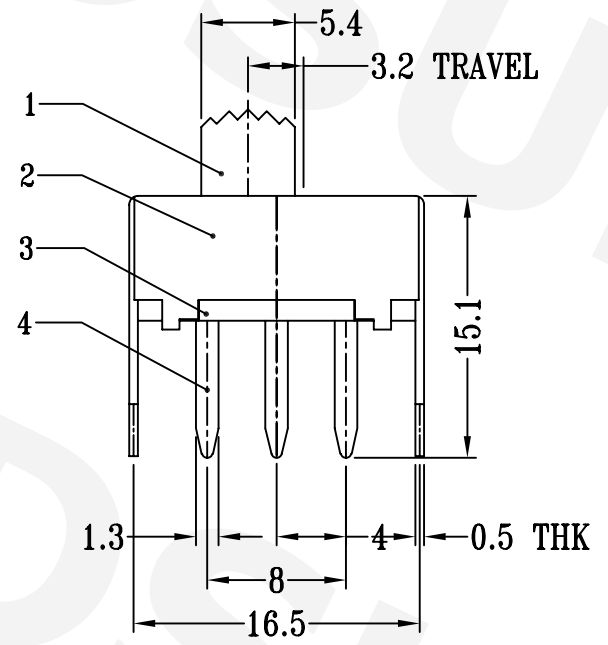
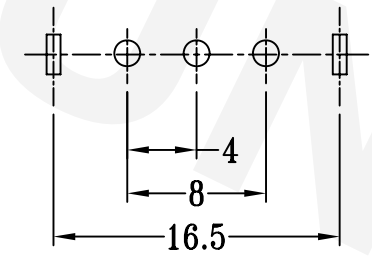


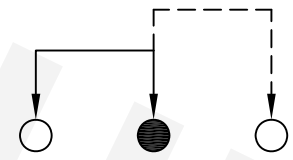
REV	LTR	DESCRIPTION	DATE	REVISER	APPD



P. C. B Layout  
(Top view)



Schematic



**东莞市鼎尚电子有限公司**  
DONGGUAN DSUN ELECTRONICS CO.,LTD.

④	TERMAINAL	3	Brass	Ag-Plating
③	TERMAINALBASE	1	PF	
②	FRAME	1	ATEEL STRIP	Ni-Plating
①	KNOB	1	POM	BLACK
NO.	DESCRIPTION	QTY	MATERIAL	PLATING

UNIT:MM	TYPE: VERTICAL SLIDE SWITCH			
	MODEL NO: SS-12F18			
PAPER NO: A4	TOLERANCE	ANGLES	SCALE	VER
PAGE 1 OF 1	±0.3	±2'	FULL	03
DESIGNER BY: KING LI		CHECK BY: XIAOMING HU		APPROVED BY: RONG zhon

