

1	2	3	4	5	6	7	8			
					REV	LTR	DESCRIPTION	DATE	REVISER	APPD

A

A

B

B

C

C

D

D

E

E

F

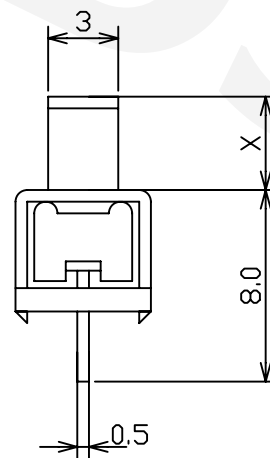
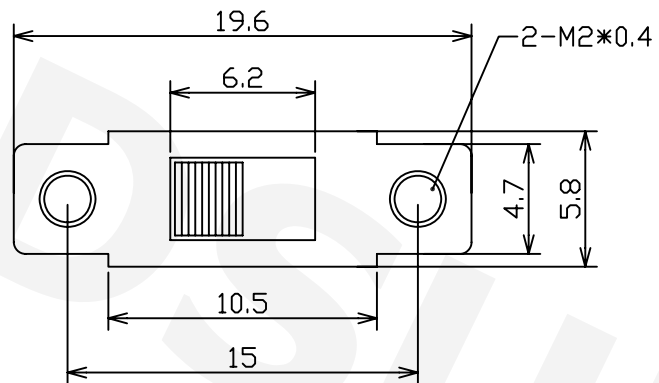
F

G

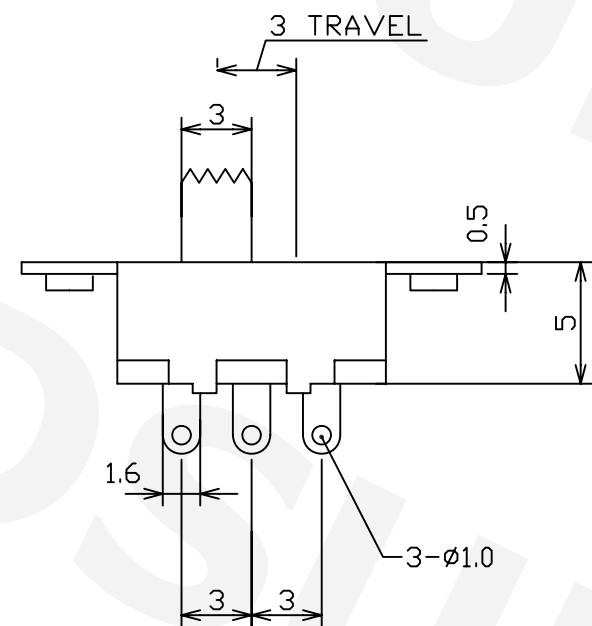
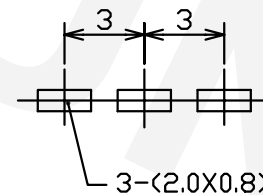
G

H

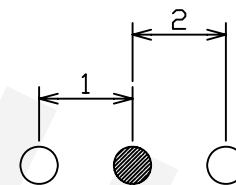
H



P. C. B Layout  
(Top view)



Schematic



**东莞市鼎尚电子有限公司**  
DONGGUAN DSUN ELECTRONICS CO.,LTD.

UNIT:MM	TYPE: VERTICAL SLIDE SWITCH			
	MODEL NO: SS-12F16			
PAPER NO: A4	TOLERANCE	ANGLES	SCALE	VER
PAGE 1 OF 1	±0.3	±2°	FULL	03
DESIGNER BY: KING LI	CHECK BY: XIAOMING HU	APPROVED BY: RONG zhon		

④	TERMAINAL	3	Brass	Ag-Plating
③	TERMAINALBASE	1	PF	
②	FRAME	1	ATEEL STRIP	BLACK
①	KNOB	1	POM	BLACK
NO.	DESCRIPTION	QTY	MATERIAL	PLATING

1 2 3 4 5 6 7 8