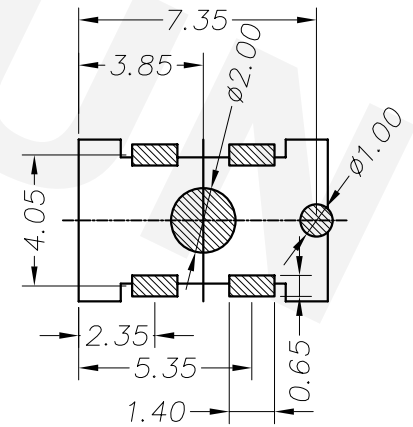
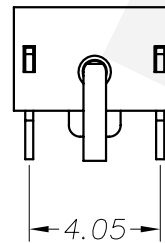
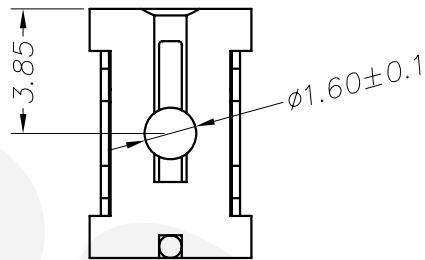
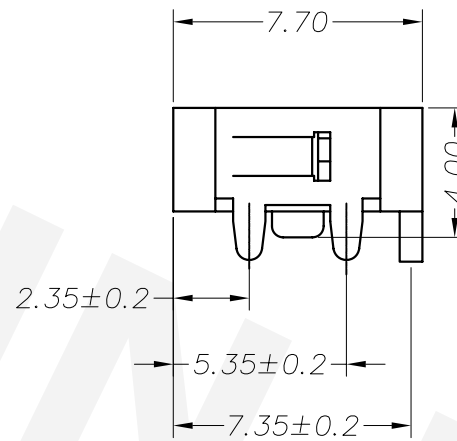
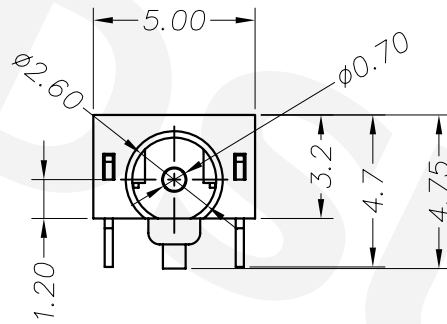
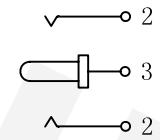


REV	LTR	DESCRIPTION	DATE	REVISER	APPD

P. C. B Layout



Schematic



东莞市鼎尚电子有限公司
DONGGUAN DSUN ELECTRONICS CO.,LTD.

UNIT:MM	TYPE: DC POWER JACK			
	MODEL NO: DC-099A			
PAPER NO: A4	TOLERANCE	ANGLES	SCALE	VER
PAGE 1 OF 1	±0.3	±2'	FULL	03
DESIGNER BY: KING LI	CHECK BY: XIAOMING HU	APPROVED BY: RONG zhon		

NO.	DESCRIPTION	QTY	MATERIAL	PLATING
③	Center pin	1	Brass	Ag-Plating
②	Ground shield	1	Phosphor bronze	Ag-Plating
①	Housing	1	PPA	

1 2 3 4 5 6 7 8