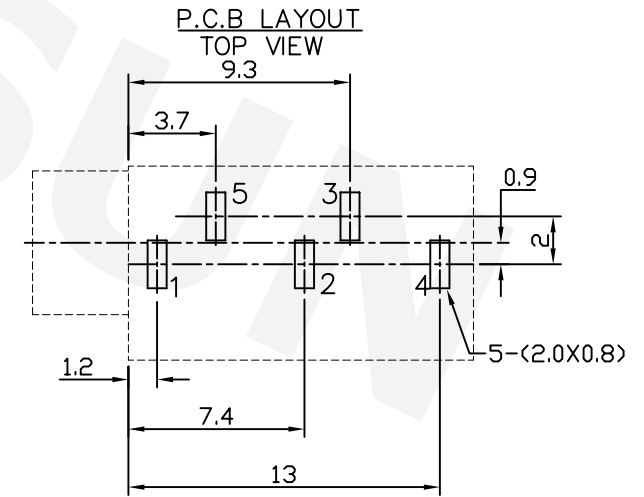
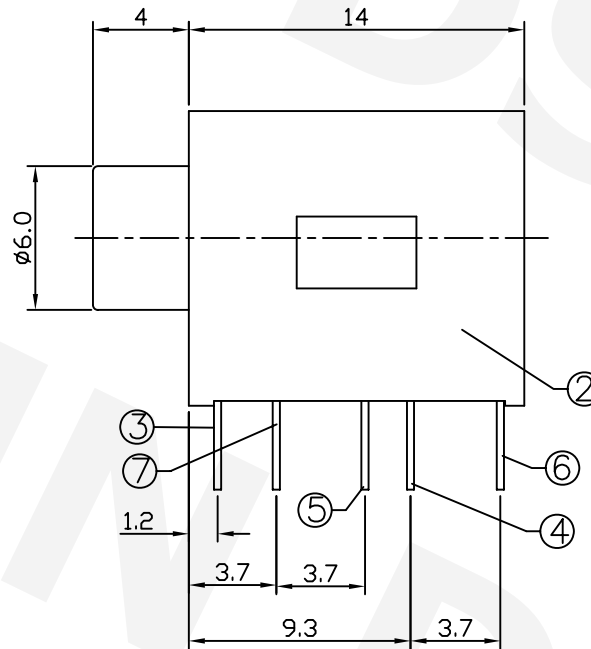
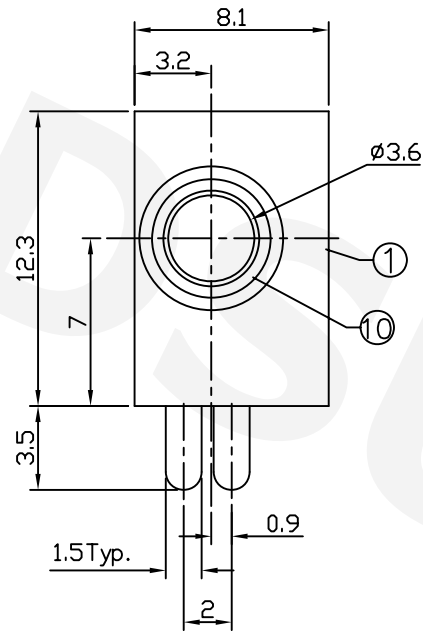
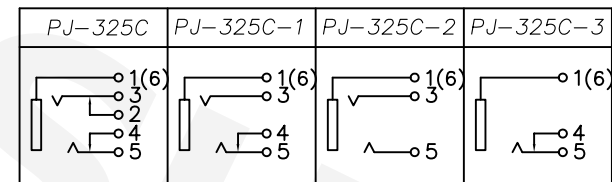


REV	LTR	DESCRIPTION	DATE	REVISER	APPD



Schematic



⑩	Bushing	1	Copper alloy	Ni-Plating
⑨	Spring-2	1	Spring Wire	Ni-Plating
⑧	spring-1	1	Spring Wire	Ni-Plating
⑦	Tip spring	1	Phosphor bronze	Sn-Plating
⑥	Shunt terminal	1	Brass	Sn-Plating
⑤	Shunt terminal	1	Brass	Sn-Plating
④	Ring spring	1	Phosphor bronze	Sn-Plating
③	Earth terminal	1	Brass	Ag-Plating
②	Cover	1	PBT	
①	Housing	1	PBT	

NO.	DESCRIPTION	QTY	MATERIAL	PLATING
1	2	3	4	5

**东莞市鼎尚电子有限公司**  
DONGGUAN DSUN ELECTRONICS CO.,LTD.

UNIT:MM	TYPE: PHONE JACK			
	MODEL NO: PJ-325C			
PAPER NO: A4	TOLERANCE	ANGLES	SCALE	VER
PAGE 1 OF 1	±0.3	±2°	FULL	03
DESIGNER BY: KING LI	CHECK BY: XIAOMING HU	APPROVED BY: RONG zhon		

6	7	8
---	---	---